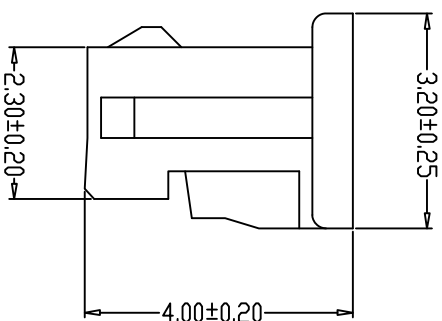
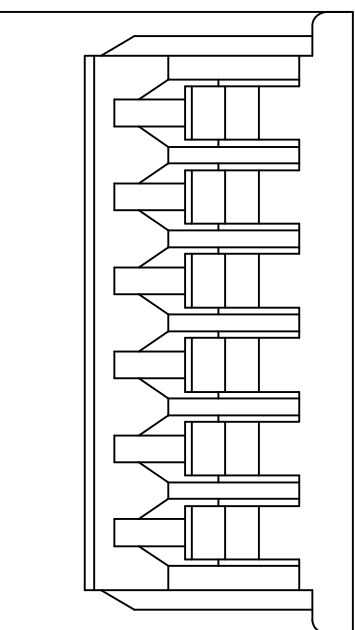
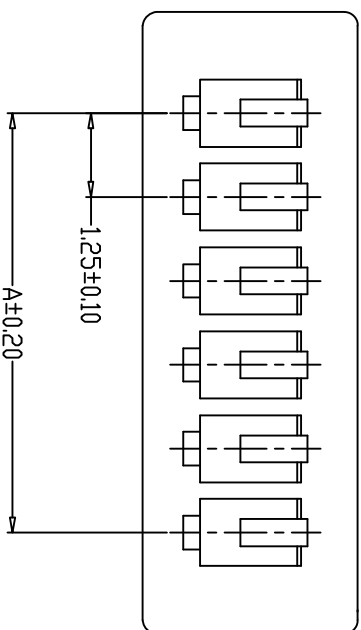


- SPECIFICATIONS**
- 1、Current Rating: 1A AC, DC
  - 2、Voltage Rating: 125V AC, DC
  - 3、Temperature Range: -25°C~+85°C
  - 4、Contact Resistance: 20mΩ Max
  - 5、Insulation Resistance: 100mΩ Min
  - 6、Withstanding Voltage: 500V AC/minute
  - 7、Material: NY1066, UL94V-0



编号	尺寸 (mm)	
	A	B
A125IH-02P	1.25	4.25
A125IH-03P	2.50	5.50
A125IH-04P	3.75	6.75
A125IH-05P	5.00	8.00
A125IH-06P	6.25	9.25
A125IH-07P	7.50	10.50
A125IH-08P	8.75	11.75
A125IH-09P	10.00	13.00
A125IH-10P	11.25	14.25
A125IH-11P	12.50	15.50
A125IH-12P	13.75	16.75
A125IH-15P	17.50	20.50



X. ±0.5	X* ±
.X ±0.30	X* ±
.XX ±0.20	.XX* ±
.XXX ±0.005	.XXX* ±

单位	mm	深圳市泰华电子有限公司
比例		<b>TaiHua Electronics Co., Ltd</b>
批准:	SCALE	版本: A0
APPROVED BY		产品名称
审核:		1.25孔座
CHECKED BY		产品编号
制图:	日期:	TH-A125IH-NP
RAVEN BY	2022.8.31	客户编号
		(Client No)